

HR

Bosnia and Herzegovina

CG

Dishwasher instruction manual

PART ONE: Generic version

MID45S201-HR

Please read this manual carefully before using the dishwasher and keep it for future reference.

CONTENT

01	3	SAFETY INFORMATION
02	8	PRODUCT OVERVIEW
03	9	USE OF THE DISHWASHER
	9	Adding salt to the softener
	11	Tips for using baskets
04	13	MAINTENANCE AND CLEANING
	13	Maintenance of external surfaces
	13	Maintenance of the interior
	16	Maintenance of the dishwasher
05	17	INSTALLATION INSTRUCTIONS
	17	About the power connection
	18	Water supply and drainage
	19	Connection of drainage hoses
	20	Installation of the device
	20	Installation of the free-standing device
	21	Installation (for the built-in model)
06	26	IN CASE OF PROBLEM
	29	Availability of spare parts
07	30	FILLING THE BASKET



REMARK:

- Read the troubleshooting chapter so you can solve some of them yourself.
- If you cannot solve the problem yourself, please ask a professional for help.
- In accordance with the policy of constant development and updating, the manufacturer reserves the right to make changes to the product without notice.
- If you lose this manual or it is out of date, you can request a new one from the manufacturer or the relevant dealer.

SAFETY INFORMATION

⚠ WARNING

When using the washing machine, observe the precautions below:

- Installation and repair may only be performed by a qualified technician
- This device is intended for household use and similar applications such as:
 - in staff kitchens in stores, offices and other workplaces;
 - on rural farms;
 - for use by guests in hotels, motels and other forms of accommodation;
 - in boarding houses.
- This device may be used by children aged 8 and over and persons with reduced physical, sensory and mental abilities, as well as persons with a lack of necessary knowledge and experience, but only with the supervision or assistance of a person responsible for their safety. A responsible person should instruct them in the safe handling of the device and make sure that they understand the dangers associated with handling it.
- Do not allow children to play with the device. Children may clean and maintain the device only under supervision.
(For EN60335-1)
This device must not be used by persons (including children) with reduced physical, sensory or mental capabilities

abilities as well as persons without adequate experience and knowledge, except under the supervision of a person responsible for their safety or if such a person has provided them with the necessary instructions for using the device. (For IEC60335-1)

- Packaging can be dangerous for children!
- This device is intended exclusively for household use, indoors.

To prevent the risk of electric shock, do not immerse the device, cord or plug in water or other liquid.

- Before cleaning and maintenance, disconnect the device from the
- power supply. If the power cord is damaged, it must be replaced by the manufacturer, its service agent or a similarly qualified person in order to reduce the risk of danger.



Grounding instructions

- This device must be grounded. In the event of an irregularity or malfunction, grounding will reduce the risk of electric shock by providing the path of least resistance for electric current. The device is equipped with a water plug for grounding.
- The plug must be plugged into an appropriate outlet that is installed and grounded in accordance with all local laws and regulations.
- Improper connection of the equipment grounding conductor can lead to the risk of electric shock. If you are
- not sure whether the device is properly grounded, check with a qualified electrician or service person.

- If the plug that came with the product does not match the outlet, do not replace it.
- A qualified electrician must install the appropriate outlet.
- Do not sit or stand on the door or dish rack, or handle them roughly.
- Do not use the washing machine if it is not fully assembled and closed.
- Carefully open the door while the washing machine is running as there is a risk of splashing water.
- Do not stand on the door or place heavy objects on it when it is open. The device could tip over.
- When loading the washing machine:
 - 1) Place sharp objects so that they do not damage the door seal;
 - 2) Warning: Knives and other sharp kitchen utensils must be placed in the cutlery basket with the blade facing down, or place it horizontally in the upper basket.
- Some detergents are extremely alkaline. They can be extremely dangerous if swallowed. Avoid contact with skin and eyes and keep children away from the washing machine when the door is open.
- Check that there are no detergent residues after the end of the wash cycle.

- Do not wash plastic items unless they are marked as machine washable.
- For unmarked plastic items, check the manufacturer's instructions.
- Use only washing and rinsing agents intended for dishwashers.
- Never use soap, laundry detergent or hand dishwashing.
- Do not leave the appliance door open - tripping hazard.
- During installation, be careful not to crush or excessively bend the power cable. Do not
- modify the controls.
- The device must be connected to the main water supply of the new intestine. Do not use used hoses. In
- order to consume less electricity, the device will automatically turn off in standby mode if you do not start any function for 15 minutes.
- The maximum number of sets of dishes you can wash is 10.
- The maximum allowable water supply pressure is 1 MPa.
- The minimum permitted water supply pressure is 0.04 MPa.

• Taking care of

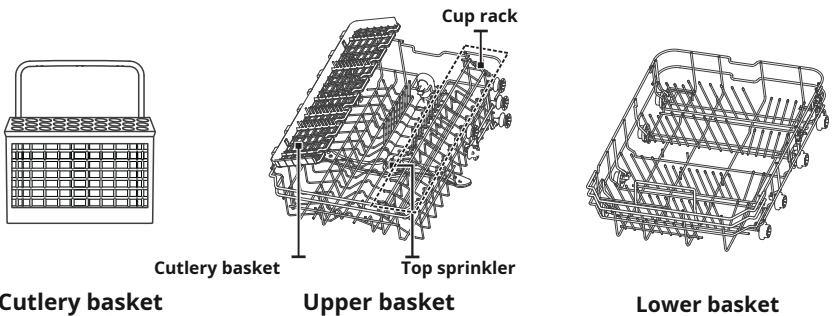
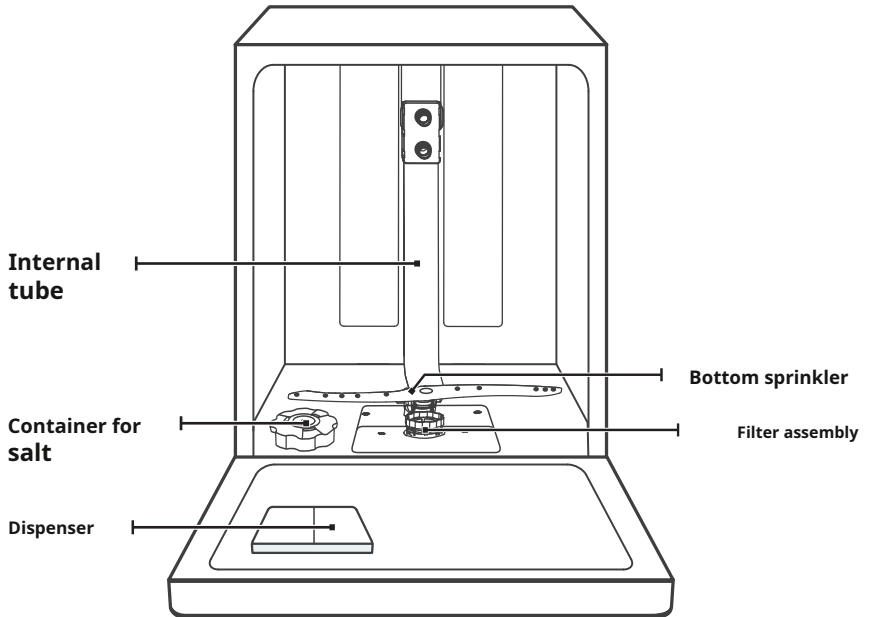
- Dispose of the packaging and worn-out device at a recycling center. Before doing so, cut the power cable and disable the door lock so that it cannot be closed.
- Cardboard parts are made from recycled paper and should be disposed of in paper containers.
- By properly disposing of this product, you help prevent possible harmful consequences that may occur due to improper disposal of the product. For more information on recycling this product, contact the appropriate local government office or municipal waste disposal service. **DISPOSAL: Do not dispose of this device together with unsorted municipal waste. It belongs to waste that is collected separately.**



PRODUCT OVERVIEW

! IMPORTANT:

In order to make the most of the washing machine's performance, read all the instructions before using it for the first time.

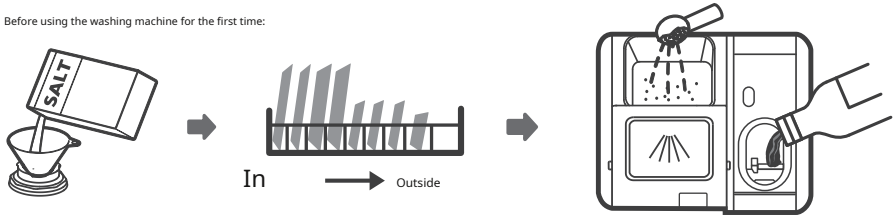


💡 REMARK:

Pictures are for reference only, different models may be different.

USING THE WASHING MACHINE

Before using the washing machine for the first time:



1. Adjust the water softener.
2. Adding salt to the softener
3. Filling the basket
4. Filling the container with dishwashing detergent



If you need to adjust the water softener, check the section "Water softener" in the first chapter of part two: Special version.

Adding salt to the softener

REMARK:

If your model does not have a water softener, you can skip this part. Always use salt intended for dishwashers.

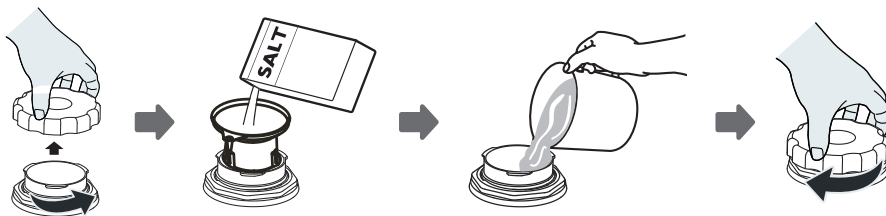
The salt container is located under the lower basket, and should be filled according to the instructions below.

WARNING

- **Only use salt intended for dishwashers!** Any other salt that is not specifically intended for use in washing machines, especially table salt, can damage the water softener. The manufacturer disclaims responsibility and does not provide any guarantees in case of damages caused by the use of unsuitable salt.
- Add salt only before starting the washing program.

This will prevent grains of salt or salty water from remaining on the bottom of the washing machine, which can cause corrosion.

To add salt to the washing machine, follow these steps:



- 1.Remove the lower basket and unscrew the tank cap.
- 2.Place the end of the (supplied) funnel in the opening and pour about 1.5 kg of dishwasher salt.
- 3.Fill the tank with water up to the maximum mark. It is normal for some water to leak out of the salt container.
- 4.After filling the tank, tightly close the cap.
- 5.The salt warning indicator will turn off after you fill the tank with salt.
- 6.Start the washing program immediately after filling the tank with salt (we advise that this program be short). Otherwise, the filtration system, pump or other important parts of the washing machine could be damaged by salt water. This is not covered under warranty.

REMARK:

- The salt tank should be refilled only when the salt warning indicator () lights up on the control panel. The warning indicator may remain lit after adding salt, depending on how quickly it dissolves.
If there is no salt shortage indicator on the control panel (in some models), you can judge yourself when to add salt according to the number of washing machine cycles. If salt is spilled, run a short or soak program to remove it.

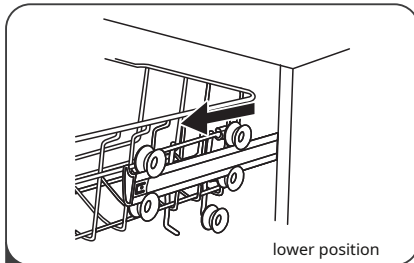
Tips for using baskets

Adjusting the upper basket

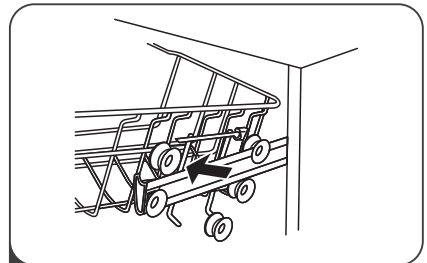
Type 1:

You can easily adjust the height of the upper basket to accommodate taller dishes in the upper or lower basket.

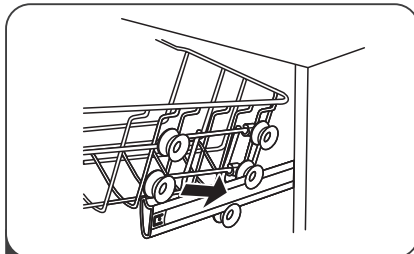
To adjust the height of the upper basket, follow these steps:



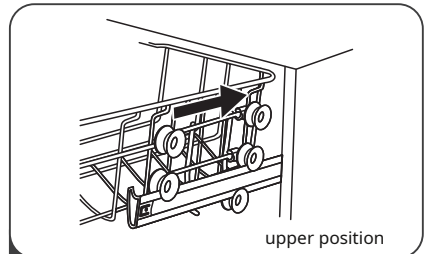
1 Pull out the upper basket.



2 Remove the upper basket.

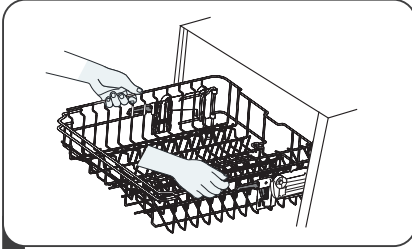


3 Reattach the upper basket to the upper or lower roller.

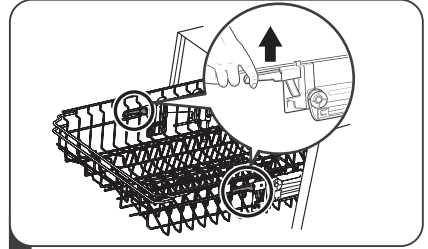


4 Push the upper basket inside.

Type 2:



- 1** To raise the upper basket, just lift it in the middle from the sides until it is secured in the upper position. It is not necessary to lift the adjustment lever.



- 2** To lower the upper basket, lift the adjustment levers on the sides to release the basket and lower it to the lower position.

Folding the cup and glass holder backwards

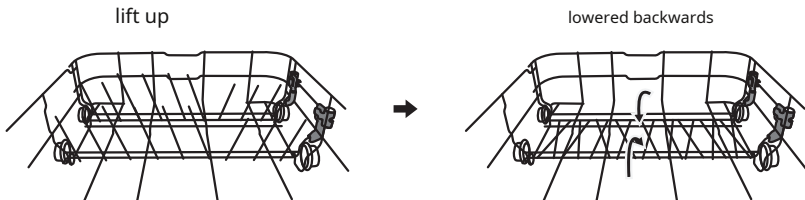
To make room for more items in the upper basket, raise the cup holder upwards. Then you can lean tall glasses on it. You can also remove it when you don't need to use it.



Folding the shelves back

The spikes of the lower basket are used to hold plates and trays.

They can be lowered to make more room for large items.



MAINTENANCE AND CLEANING

Maintenance of external surfaces

Door and door seal

Clean the door seals regularly with a soft, damp cloth to remove food residue.

When loading the washing machine, food and drink residues can drip onto the sides of the washing machine door. These surfaces are on the outer part of the housing and cannot be accessed by water from the sprinklers.

Wipe away any residue before closing the door.

Control panel

If cleaning is necessary, wipe the control panel only with a soft damp cloth.

WARNING

- To prevent water from penetrating the door lock and electrical components, do not use any type of spray cleaner.
- Never use abrasive cleaning agents or rough sponges on the exterior surfaces, as they may scratch the finish. And some paper towels can scratch the surface or leave marks on it.

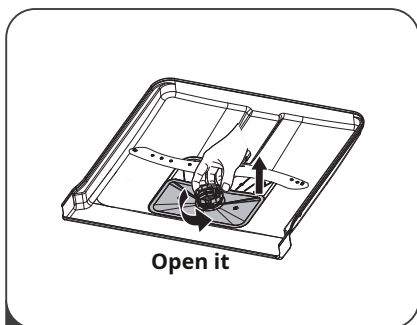
Interior maintenance

Filtration system

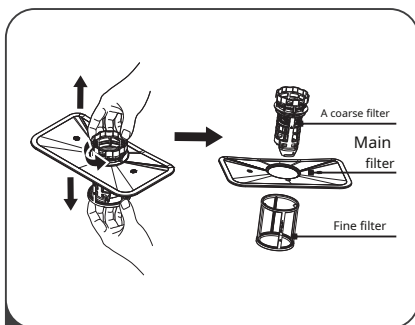
A filter system at the base of the wash compartment traps larger debris from the wash cycle, including foreign objects such as toothpicks or debris. Collected coarse debris can cause clogging of the filter. Regularly check the condition of the filter, carefully remove foreign objects and, if necessary, clean the parts of the filter system with water. Follow the steps below to clean the washing machine filter.

REMARK:

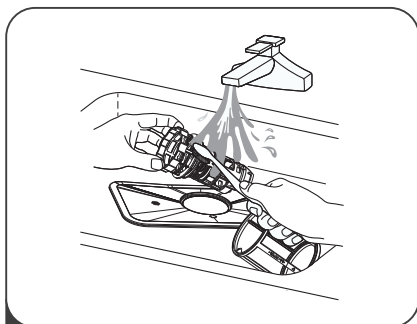
Pictures are for reference only, different models of filter systems and sprinklers may be different.



- 1 Hold the coarse filter and turn it counterclockwise to unlock it. Lift the filter up and remove it from the dishwasher.

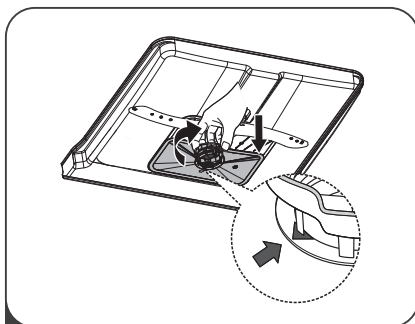


- 2 You can pull out the fine filter from the bottom of the filter assembly. You can separate the coarse filter from the main filter by gently pressing the tabs on the top and pulling it out.



- 3 Larger food residues can be cleaned by rinsing the filter under running water.

For more thorough cleaning, use a soft brush.



- 4 Reassemble the filters in the reverse order of disassembly, put the filter assembly back in place and turn it clockwise according to the arrow.

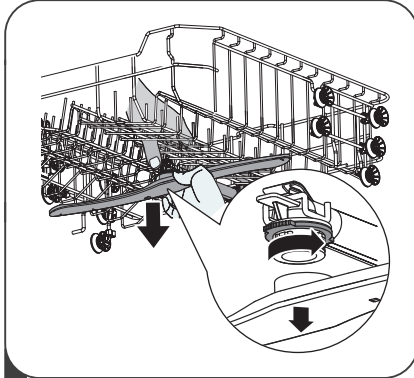
⚠ WARNING

- Do not tighten the filters too much. Fasten the filters well in the appropriate order, otherwise gross impurities can enter the system and cause a blockage.
- Never use the dishwasher without the filters in place. Improperly replacing the filter can reduce the efficiency of the device and damage dishes and utensils.

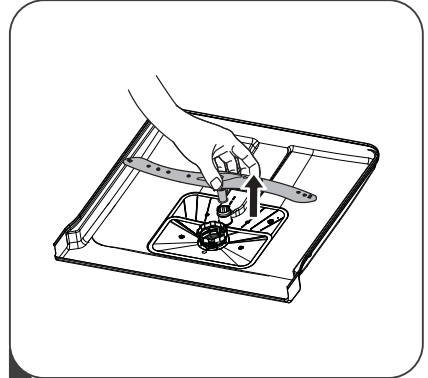
Sprinklers

It is necessary to clean the sprinklers regularly because the chemicals in the hard water will clog their nozzles and bearings.

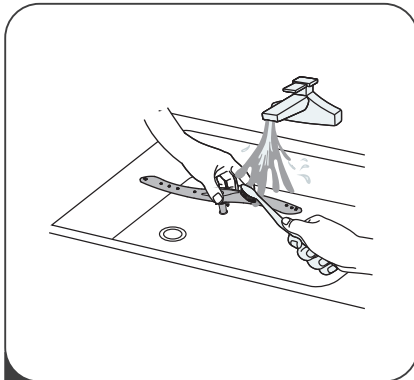
To clean the sprinklers, follow the instructions below:



- 1** To remove the upper sprinkler, hold the nut firmly in the center and turn the sprinkler counterclockwise to remove it.



- 2** To remove the lower sprinkler, pull it upwards.



- 3** Wash the sprinklers in warm soapy water and clean the nozzles with a soft brush. Rinse them well and put them back in place.

Dishwasher maintenance

Precautions against freezing

Take the necessary measures to protect the dishwasher from freezing in winter. After each washing cycle, proceed as follows:

1. Disconnect the washing machine from the power supply.
2. Close the water supply and disconnect the water supply pipe from the water valve.
3. Drain the water from the supply hose and the water valve. (Collect the water in the pot)
4. Reconnect the supply hose to the water valve.
5. Remove the filter from the bottom of the washing compartment and use a sponge to collect the water collected in the siphon.

After every wash

After each wash, close the water supply and leave the door ajar so that moisture and odors do not remain inside the washing machine.

Unplugging

Before cleaning or maintenance, always unplug the power cord from the outlet.

Do not use solvents or abrasive cleaning agents

Do not use solvents or abrasive cleaning agents to clean the external and rubber parts of the dishwasher. Use only a cloth and warm, soapy water.

To remove stains from the interior surfaces, use a cloth moistened with water and a little vinegar, or a cleaning agent specifically intended for dishwashers.

In case of prolonged non-use

It is recommended to start the washing cycle with an empty dishwasher and when it is finished, unplug the power cord from the outlet, close the water supply and leave the dishwasher door ajar. This will extend the life of the seals and prevent odors from forming inside the device.

Moving the device

If it is necessary to move the device, try to keep it in a vertical position. If absolutely necessary, lay it down on its back.

Gaskets

One of the causes of unpleasant smells in the washing machine is food stuck in the seals.

Periodic cleaning with a damp sponge will prevent this phenomenon.

INSTALLATION INSTRUCTIONS

⚠ WARNING



Danger of electric shock Before installing the washing machine, disconnect it from the power supply.

Failure to do so may result in death or electric shock.

⚠ Attention

Entrust the connection of the hoses and the connection to the electricity to the professionals.

About the power connection

⚠ WARNING

For your safety:

- Do not use an extension cord or adapter with this device.
- Do not under any circumstances cut or remove the ground from the power cord.

Conditions for connection to the electrical network

Refer to the data plate to find out the rated voltage and connect the dishwasher to the appropriate power supply. Use a suitable 10 A / 13 A / 16 A fuse, time delay fuse or automatic fuse and provide a separate circuit for this device only.

Electrical connection

The voltage and frequency of the electrical network should correspond to that indicated on the data plate. Connect the plug only to a properly grounded outlet. If the electrical outlet for the appliance is not suitable for the plug, replace it instead of using adapters or the like as they may cause overheating and burns.

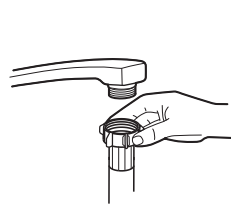
⚠ Ensure proper grounding before use

Water supply and drainage

Connection to the water supply

Connect the cold water supply hose to the 3/4 inch connection thread and make sure the connection is tight.

If the water hoses are new or haven't been used for a long time, let the water run to make sure the water is clear. This precaution is necessary to avoid the risk of blocking the water inlet and damaging the device.



usually supplied hose



security supply hose

About the safety supply hose

The safety supply hose has double walls. The hose system serves to interrupt the water supply in the event of a hose burst and when the space between the supply hose itself and the outer corrugated hose is full of water.

⚠ WARNING

The hose on the sink faucet can burst if it is connected to the same water supply as the washing machine. If your sink has such a hose, it is recommended that you take it off and block the drain.

Connecting the safety supply hose

1. Remove the safety supply hose from the container on the back of the washing machine.
2. Tighten the safety hose bolts to the 3/4 inch threaded faucet.
3. Before starting the washing machine, open the water all the way.

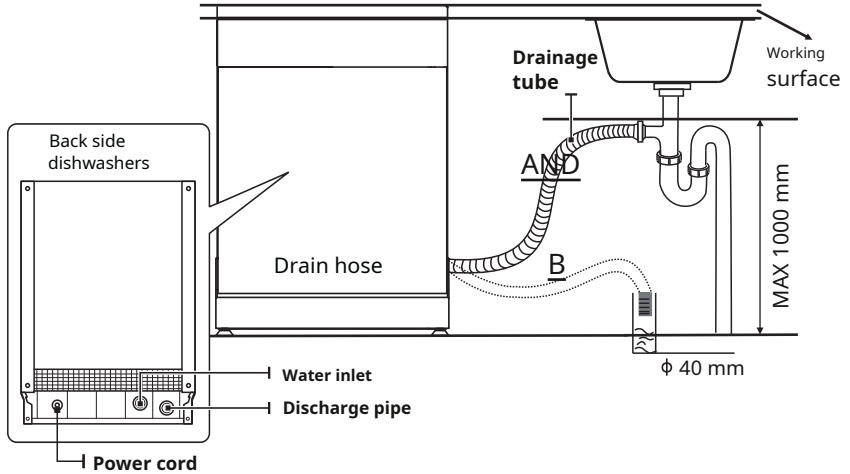
Disconnecting the safety supply hose

1. Turn off the water.
2. Disconnect the safety supply hose from the faucet.

• Connection of drainage hoses

Place the drain hose in a drain with a minimum diameter of 4 cm, or let it drain into the drain, taking care not to bend or crush it. The drain hose must be placed at a height of less than 1000 mm. To prevent backflow, the free end of the hose must not be immersed in water.

⚠ Fix the drain hose in position A or B.



How to empty excess water from the intestines

If the connection to the drain pipe is located above 1000 mm, excess water may remain in the drain hose. Excess water from the hose will need to be drained into a bowl or similar suitable container, placed outside and lower than the sink.

Water outlet

Connect the drain hose. The drain hose must be properly attached to avoid water leakage. Make sure that the water drain hose is not bent or crushed.

Extension hose

If you need a drain hose extension, use a similar drain hose. It must not be longer than 4 meters; otherwise, the washing machine may wash less efficiently.

Connection to siphon

The drain water connection must be at a height of less than 1000 mm (max.) from the bottom of the washing machine.

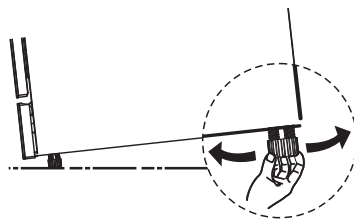
Setting up the device

Place the device in the desired location. The back of the device must lean against the wall behind it, and the sides against the adjacent walls. The washing machine is equipped with inlet and outlet hoses that can be placed on the right or left side.

Leveling the device

Once the washer is set up for leveling, you can change its height by turning the screw on the feet.

In any case, the device must not be tilted more than 2°.

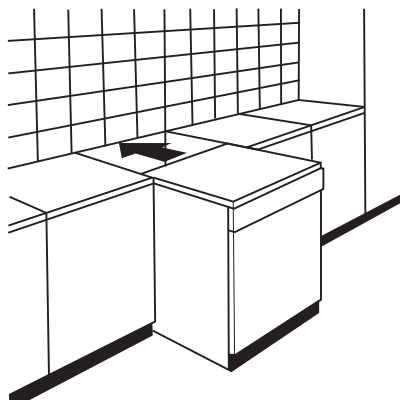


Installation of a free-standing device

Placement between existing kitchen elements

The height of the dishwasher (845 mm) allows it to be placed between existing kitchen elements of the same height in modern kitchens.

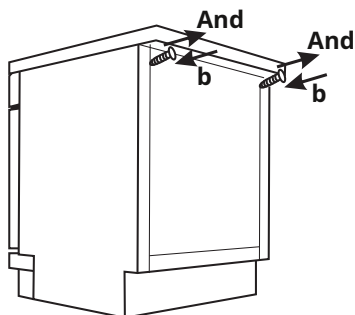
The laminated top of the washing machine does not require special care, as it is resistant to heat, scratches and stains.



Under the existing work surface

(When installing under the work surface)

In most modern equipped kitchens, there is only one single work surface under which kitchen elements and electrical devices are placed. In this case, remove the work surface of the dishwasher by unscrewing the screws under the rear edge of the work surface (**And**).



Attention

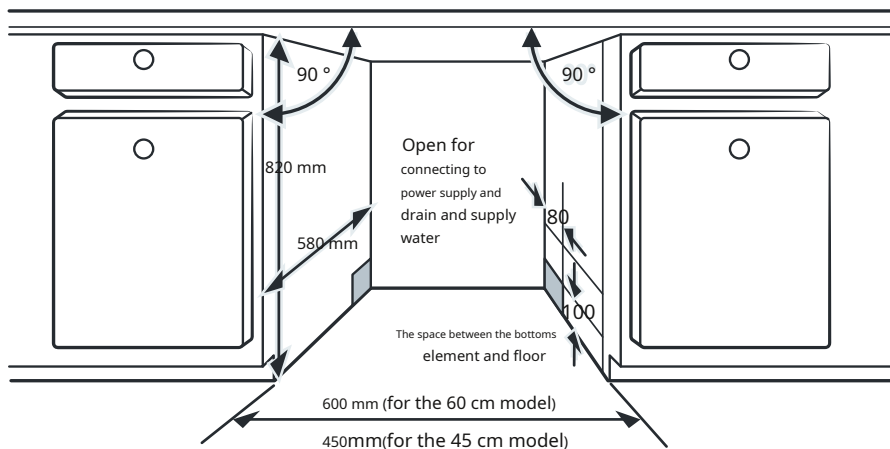
After removing the worktop, you must re-tighten the screws under the back edge of the worktop (**b**).

Installation (for built-in model)

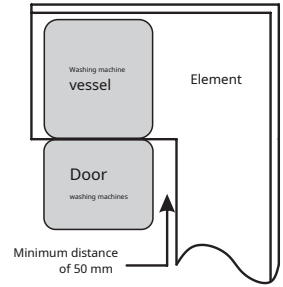
Step 1 Choosing the best place for the dishwasher

The washing machine should be placed close to the existing water supply, drainage pipe and electrical outlet. The illustrations show the dimensions of the built-in element and the position of the washing machine.

1. Less than 5 mm between the top of the washer and the element, the door flush with the element.



2.If you install the washing machine in the corner of the element, leave room for opening the door.



REMARK:

Depending on where your electrical outlet is located, you may need to cut a hole on the opposite side of the element.

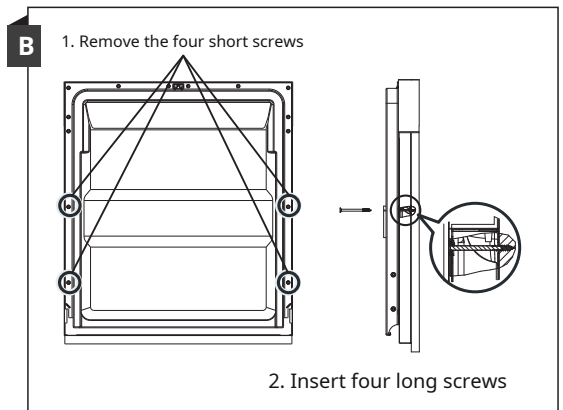
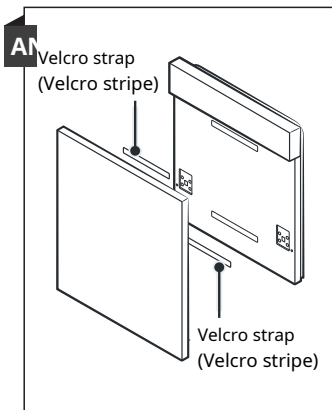
Step 2 Dimensions and placement of the decorative panel



Follow the specific installation instructions for attaching the decorative door panel.

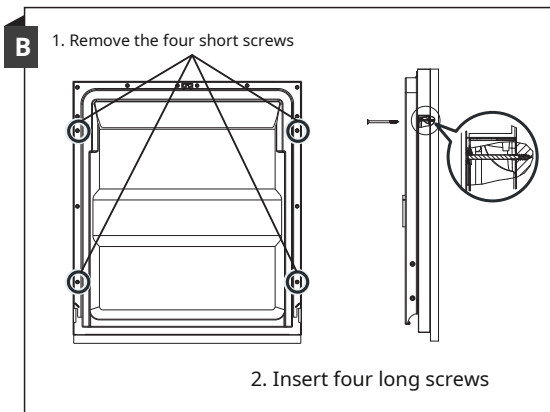
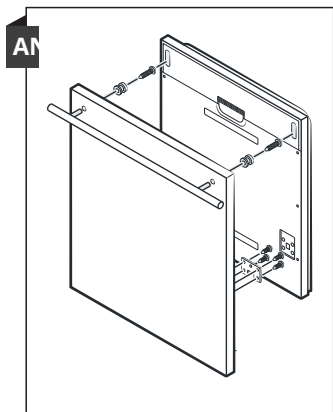
Semi-built-in model

Separate the velcro strip A and the velcro strip B and attach the velcro strip A to the inside of the decorative panel. Attach the velcro strap with loops B to the outside of the dishwasher door (picture A).After installing the panel, fasten it to the door of the washing machine with screws (picture B).



Fully built-in model

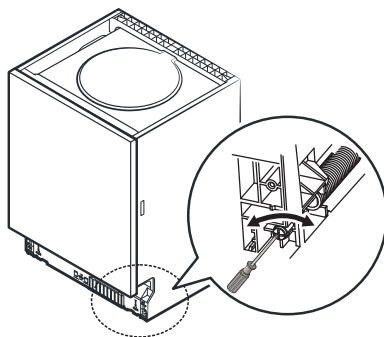
Place the hook on the decorative panel and insert the hook into the slot on the outside of the washing machine door (picture A). After installing the panel, fasten it to the door of the washing machine with screws (picture B).



Step 3 Adjusting the door spring tension

1. The door springs are adjusted to the appropriate tension at the factory. If you are installing a decorative panel, it is necessary to adjust the tension of the door spring. Turn the adjusting screw to tighten or loosen the steel cable.

2. The tension is correct when the door remains horizontal in the fully open position and lifts to the closed position with ease, with one finger.

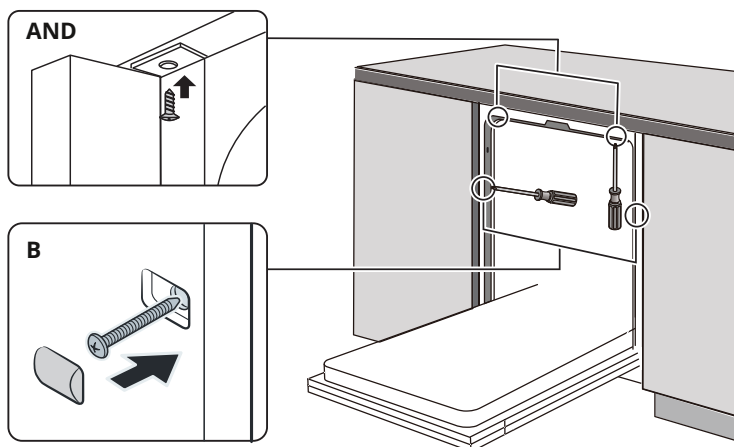


Step 4 Steps of installing the washing machine



Pay attention to the installation steps indicated in the installation drawings.

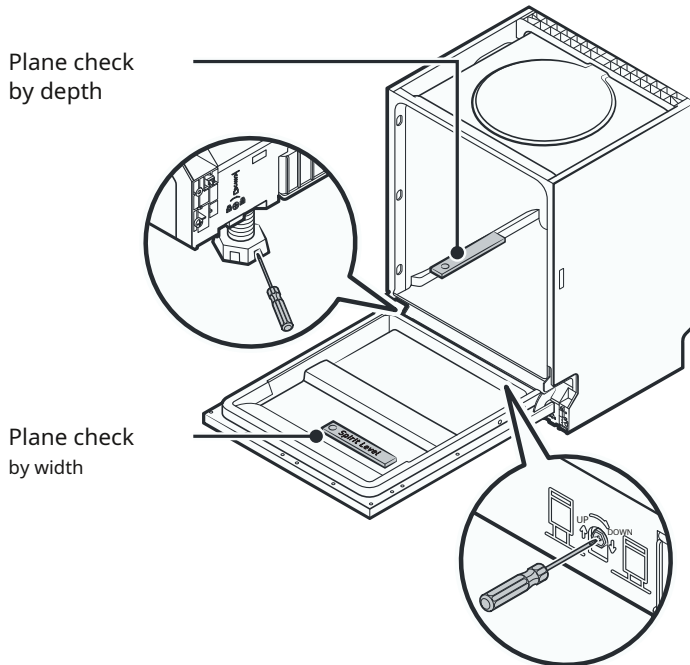
1. Stick anti-condensation tape under the bottom of the element. Make sure it is flush with the edge of the element. (Step 2)
2. Connect the supply hose to the cold water supply.
3. Connect the drain hose.
4. Connect the power cable.
5. Place the dishwasher in the kitchen unit.
6. Level the washing machine. The rear foot can be adjusted from the front of the washing machine by turning the cross screw in the middle of the base of the washing machine with a cross screwdriver. Use a flat screwdriver to adjust the front legs. Use it to turn the legs until the washing machine is level. (Step 5 - 6)
7. Place the element door on the outside of the washing machine door. (Step 7 - 10)
8. Adjust the tension of the door springs with a Phillips screwdriver; turn it clockwise to tighten the left and right springs. Failure to do so may damage the washing machine. (Step 11)
9. The washing machine must be firmly fixed in place. There are two ways to do it:
 - AND.** Standard work surface: Insert the installation hook into the slot on the side and fasten it to the work surface with wood screws.
 - B.** Marble or granite worktop: Fasten the side with screws.



Step 5 Leveling the dishwasher

The washing machine must be leveled in order to give optimal washing results.

1. Place the spirit level against the door and basket guide in the washing machine as shown in the picture to check that the washing machine is level.
2. Level the washing machine by adjusting each of the three feet separately.
3. When leveling the washing machine, make sure that it does not tip over.



REMARK:

The maximum height of the legs can be 50 mm.

IN CASE OF PROBLEM

Before calling the service

See the tables on the following pages, because they may contain a solution to the problem without calling the service.

An issue	Possible causes	Solution
The washing machine does not includes	The fuse has blown or blown.	Replace the fuse or replace it. Disconnect all appliances connected to the same circuit as the washing machine.
	The power supply is not included.	Make sure that the dishwasher is switched on and that the door is properly closed. Make sure the power cord is properly connected to the wall outlet.
	Low water pressure	Check that the washing machine is properly connected to the water supply and that the tap is open.
	The door is not properly closed.	Be sure to close the door tightly.
Water does not flow out from the washing machine	It's a drain hose sharply bent.	Check the drain hose.
	The filter is clogged.	Check the filter system.
	It is the kitchen sink clogged.	Check that the water can flow freely through the drain. If the problem is a clogged kitchen sink, you may need a plumber, not a washing machine repairman.
Foam in the tub washing machines	Not responding detergent.	Use only a special detergent for washing dishes in a machine so that foam does not form. If this happens, open the dishwasher and let the suds evaporate. Add about 1 L of cold water to the bottom of the dishwasher. Close the dishwasher, then select any cycle. First, the washing machine will drain the water. Open the door after emptying and check if the foam has disappeared. Repeat if necessary.

An issue	Possible causes	Solution
	Spilled agent for rinsing.	Always wipe up spilled rinse aid immediately.
Stained the inside of the washing machine	You used a detergent with dyes.	Choose a detergent without dyes.
White deposits in interior washing machines	Hard water minerals.	Clean the inside of the washing machine with a damp soft cloth and dishwashing detergent. Wear rubber gloves. Never use anything other than dishwashing detergent to avoid excessive foam.
On the dining table accessories are noticeable stains from rust	That accessory is not corrosion resistant.	Avoid washing objects that are not resistant to corrosion in the washing machine.
	You have not started program after addition of salt. Into the wash cycle there were traces of salt.	After adding salt, always start the washing program with an empty washing machine, without selecting the Turbo function (if your model has it).
	Loose lid softener compartment	Check the cover.
Knocking in interior washing machines	The sprinkler hits dishes in the basket.	Stop the program and remove the dishes blocking the sprayer.
Rattling in interior washing machines	There are no dishes attached.	Stop the program and arrange the dishes.
Knocking in the pipes for water	The reason for this may be the place of installation or the cross-section pipes.	This does not affect the operation of the washing machine. If you are not sure, contact a professional plumber.
The dishes are not clean	The dishes are not correct set up.	See PART TWO, "Preparing and putting dishes in the washing machine".
	The program was not strong enough.	Choose a more intensive program.

An issue	Possible causes	Solution
The dishes are not good washed.	Insufficient quantity detergent.	Use more detergent or replace it with another.
	It interferes with dishes turning the sprinklers.	Arrange the dishes so that the sprinklers can turn freely.
	The filter assembly at the bottom of the washing machine is not clean or not installed correctly. It can cause blocking sprinklers.	Clean and/or properly install the filter assembly. Clean the spray nozzles.
Misty glasses and glassware	A combination of soft too much water detergent.	Use less detergent if you have soft water and choose a shorter cycle for washing glassware and glasses.
On the dishes and they appear in glasses are white spots.	They can occur in areas with hard water scale deposits.	Check the settings of the water softener or the filling status of the salt tank.
Black or gray stains on the dishes	Touch marks aluminum dishes.	Use a mild abrasive cleaner to remove these stains.
Detergent remains in containers.	It blocks dishes tank covers detergent.	Arrange the dishes correctly.
The dishes are not dried.	Irregular schedule vessel.	If there are detergent residues on the dishes, use gloves to prevent skin irritation.
	Taken out too soon pots	Do not empty the washing machine immediately after washing. Open the door a little so that the steam can escape. Remove the dishes only when the internal temperature has dropped sufficiently. Empty the lower basket first to prevent dripping from the upper basket.

An issue	Possible causes	Solution
The dishes are not dried.	You chose the wrong one program	In the shorter program the water temperature is lower, which reduces the washing effect. Choose a longer program.
	Cutlery with low quality lining	Water drainage is more difficult with such objects. Cutlery and dishes of this type are not suitable for washing in the washing machine.

WARNING

Independent or unprofessional repair can lead to serious risks for the safety of the user of the device and can affect the warranty.

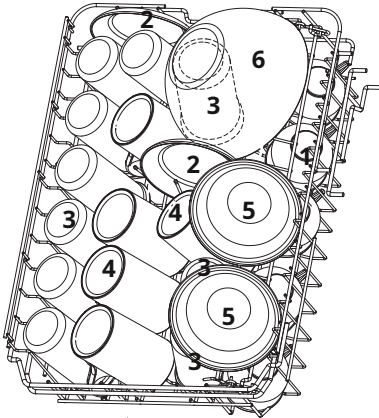
• Availability of spare parts

- **Seven years after the release of the last example of the model on the market:** Motor, circulation and discharge pump, heaters and heating elements, including heat pumps (separately or in a package), piping and related equipment, including all pipes, valves, filters and aquastop systems, structural and internal parts related to door assemblies (separately or in a package), printed circuit boards, electronic displays and indicators, pressure switches, thermostats and sensors, software and firmware, including reset software.
- **Ten years after the release of the last example of the model on the market:** Door hinges and seals, other seals, sprinklers, drain filters, interior racks and plastic peripheral components such as baskets and lids.

BASKET FILLING ACCORDING TO NORMSEN60436:

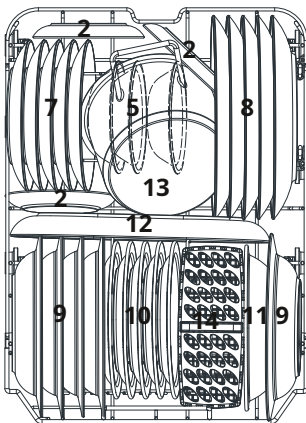
Loading the dishwasher to full capacity will help save energy and water.

1.Upper basket:



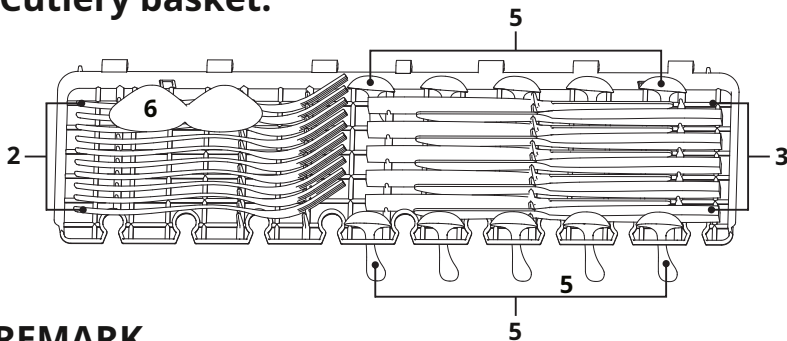
Number	Case
1	Cups
2	Saucers
3	Glasses
4	Cups
5	Dessert bowls
6	A glass bowl

2.Lower basket:



Number	Case
7	Dessert plates
8	Shallow plates
9	Deep plates
10	Dessert plates from melamine
11	Melamine bowl
12	Oval tray
13	A small bowl
14	Cutlery basket

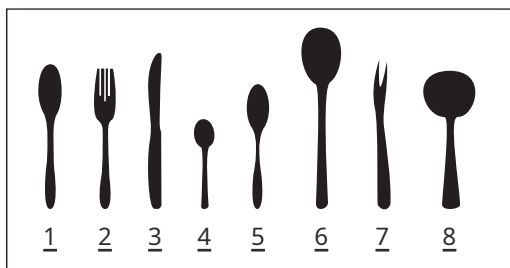
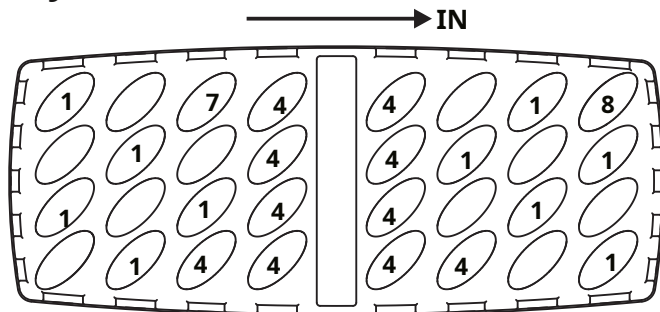
3. Cutlery basket:



REMARK

Place light, flat objects on the shelf. The maximum load is 1.5 kg.

4. Cutlery basket:



Number	Case
1	Spoons
2	Forks
3	Knives
4	Spoons
5	Dessert spoons
6	Serving spoons
7	Serving forks
8	Ladle

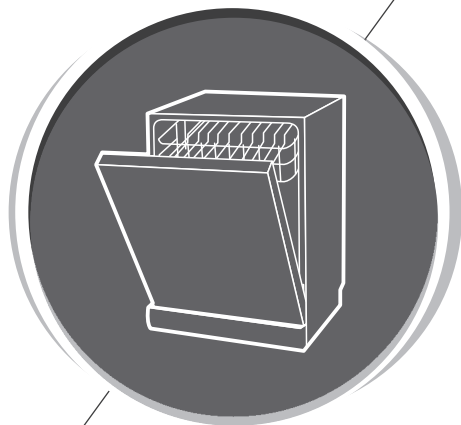
Information for compatibility testing in accordance with the EN60436 standard

Capacity: 10 sets

Upper basket position: lower

Program: ECO

Rinse aid settings: MAX Water softener setting: H3



Dishwasher

instruction manual

PART TWO: Special version
MID45S201-HR



Please read this manual carefully
before using the dishwasher and
keep it for future reference.

CONTENT

	4	USING THE WASHING MACHINE
	4	Control panel
	6	Water softening
01	7	Preparing and placing dishes in the washing machine
	10	Function of rinse aid and detergent
	11	Filling the rinse aid tank
	12	Filling the detergent tank
	13	DISHWASHER PROGRAMMING
	13	Table of washing cycles
02	14	Starting the wash cycle
	14	Energy saving
	14	Changing the program while the cycle is in progress
	15	Forgot to put in a certain dish?
03	16	ERROR CODES
04	17	TECHNICAL DATA

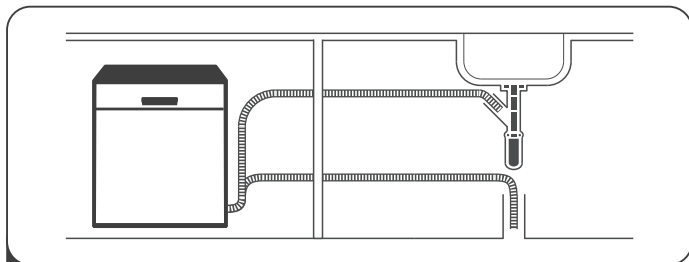


REMARK:

- If you cannot solve the problem yourself, please ask a professional for help.
- In accordance with the policy of constant development and updating, the manufacturer reserves the right to make changes to the product without notice.
- If you lose this manual or it is out of date, you can request a new one from the manufacturer or the relevant dealer.

SHORT GUIDE FOR USE

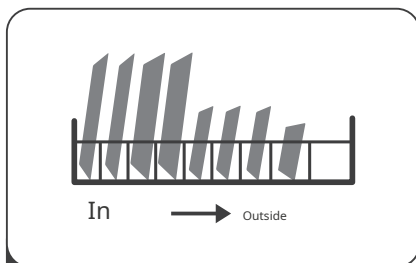
Detailed instructions for use can be found in the corresponding chapters of this manual.



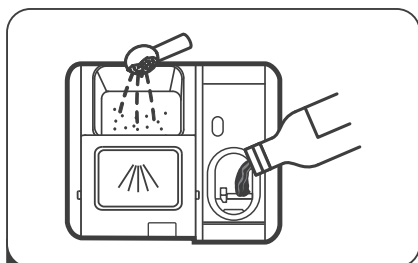
- 1** Installing a dishwasher
(Check Section 5 "INSTALLATION INSTRUCTIONS" in Part One: Generic Version.)



- 2** Remove larger residues from the dishes.
Do not rinse before washing.



- 3** Fill the baskets.



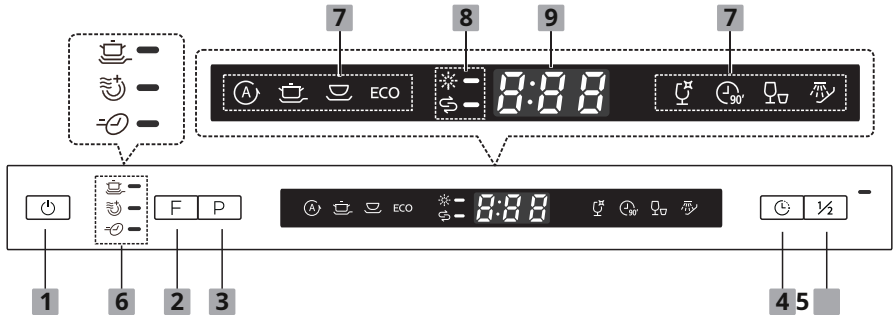
- 4** Fill the dispenser with detergent and rinse aid.



- 5** Select the appropriate program and start the dishwasher.

USING THE WASHING MACHINE



Control panel














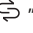
Keys and functions

1 Switching on/ exclusion	Press this button to turn on the washing machine, the indicator will light up.
2 Function	Press the button to select the function, after which the corresponding indicator will light up.
3 Program	To select the appropriate washing program, after which the corresponding indicator will light up.
4 Postponement	Press this button to delay the start of washing (in hours). You can delay the start of washing up to 24 hours. One press of the button postpones washing for one hour.
5 Half filling	If the washing machine is loaded with approximately six sets of dishes or less, you can select this function to save on electricity and water consumption. (Can be used only with Intensive, Universal, ECO, Glass and 90 min. programs)

Display

6 Indicator of work	<p> Additional cleaning For washing heavily soiled dishes that are difficult to wash. (Can be used only with Intensive, Universal, ECO, Glass and 90 min. programs)</p> <p> Additional drying For more complete drying of dishes. (Can be used only with Intensive, Universal, ECO, Glass and 90 min. programs)</p>
---------------------------------------	---

Display

<p>6 Indicator of work</p>	<p> Express Shortened program duration. (Can only be used with Intensive, Universal, ECO, Glass and 90 min. programs)</p>
<p>7 Indicator program</p>	<p> Automatically Washing with automatic recognition for lightly, normally or heavily soiled dishes with or without dried food residues.</p> <p> Intensively Heavily soiled items include pots and pans. With dried food remains.</p> <p> Universally For standard soiled dishes such as pots, plates, glasses and less soiled pans.</p> <p>ECO ECO Standard program suitable for normally soiled dishes such as pots, plates, glasses and less soiled pans.</p> <p> Glass For lightly soiled crockery and glassware.</p> <p> 90 min For standard soiled dishes that need quick washing.</p> <p> Quickly Shorter wash for lightly soiled dishes that do not need to be dried.</p> <p> Soaking To wash dishes that you plan to wash later the same day.</p>
<p>8 Indicator warnings</p>	<p> Rinse aid Is the indicator "  ", that means there is not enough rinse aid and that it should be added.</p> <p> Salt If the "  ", it means that there is not enough salt i up, it should be added.</p>
<p>9 Pointer</p>	<p>To display operating time, delay time, error code, etc.</p>

Water softening

The water softener must be adjusted manually with the help of the water hardness regulator. Water softener to remove minerals and salts that can adversely affect the operation of the device. The more minerals the water contains, the "harder" it is.

The softener should be adjusted according to the hardness of the water in your area.

Ask your local water supply company for information on the hardness of your water.

Adjustment of salt consumption

The washing machine has the function of adjusting salt consumption according to the hardness of the water. Thus, salt consumption is optimized and adjusted.

Please follow the steps below to adjust the salt consumption.

1. Open the door and turn on the device;
2. Press the Program button for more than 5 seconds to start the water softener adjustment within 60 seconds after pressing the power button;
3. Press the Program button to select the appropriate setting according to the hardness of your water.
The settings are changed in the following order:
H3->H4->H5->H6->H1->H2->H3;
4. Leave the device idle for 5 seconds or press the power button to complete the setup and exit the setup function.

WATER HARDNESS				Level softener water	It regenerates takes place every X programmatic sequences ¹⁾	Salt consumption (gram/cycle)
German °dH	French °fH	British °Clarke	Mmol/l			
0 - 5	0 - 9	0 - 6	0 - 0.94	H1	No regeneration	0
6 - 11	10 - 20	7 - 14	1.0 - 2.0	H2	10	9
12 - 17	21 - 30	15 - 21	2.1 - 3.0	H3	5	12
18 - 22	31 - 40	22 - 28	3.1 - 4.0	H4	3	20
23 - 34	41 - 60	29 - 42	4.1 - 6.0	H5	2	30
35 - 55	61 - 98	43 - 69	6.1 - 9.8	H6	1	60

1°dH=1.25° Clarke=1.78° fH=0.178mmol/l

Factory setting:H3

1)Each cycle with the regeneration process consumes an additional 2.0 liters of water, increases energy consumption by 0.02 kWh, and increases the duration of the program by 4 minutes.



If the dishwasher is running out of salt, check the section "Adding Salt to the Softener" in Chapter 3 of Part One: Generic Version.



REMARK:

If your model does not have a water softener, you can skip this part.

Water softening

Water hardness varies from place to place. If you use hard water with your washing machine, deposits form on dishes and cutlery.

The device is equipped with a special softener that uses a salt tank specially designed to eliminate scale and minerals from the water.

Preparing and putting dishes in the washing machine

- Buy dishes and accessories marked as dishwasher safe.
- For special items, choose a program with the lowest possible temperature. To prevent damage, do not remove glasses and cutlery from the dishwasher immediately after the program has finished.

Washing the following dishes/cutlery

Not dishwasher safe:

- Cutlery with handles made of wood, horn, porcelain or mother-of-pearl
- Plastic items not resistant to heat
- Older glued cutlery that is not heat resistant
- Related cutlery and crockery
- Tin or copper dishes
- Crystal
- glass
- Steel items subject to rust
- Wooden trays
- Articles made of synthetic fibers

It is partially suitable:

- Certain types of glass may lose their luster after many washes
- Silver and aluminum parts tend to fade during washing
- Glazed patterns may fade due to frequent washing

Recommendations for loading the washing machine

Remove excess food from dishes and cutlery. Soften the remains of burnt food in the dishes. It is not necessary to rinse the dishes under running water.

For the best results of the dishwasher, follow the following guidelines for loading it.

(Features and appearance of baskets and cutlery baskets may differ from your model.)

Load the dishwasher in the following way:

- Turn objects such as cups, glasses, pots/pans, etc. downwards. Curved objects, or those with indentations, should be placed horizontally, so that water can drain from them.
- Place all cutlery in a secure manner so that it cannot tip over. Place all accessories so that the sprayers can rotate freely during washing. Place hollow objects such as cups, glasses and pots etc. upside down so that water does not collect in them.
- Place dishes and cutlery so that they do not lie inside or on top of each other. Make sure that the glasses do not touch each other to avoid damage.
- The upper basket is intended for more sensitive and lighter dishes such as glasses, coffee and tea cups.
- Knives with long blades placed upright represent a possible danger!
- Long and/or sharp pieces of cutlery, such as knives, must be placed horizontally in the upper basket.
- Do not overfill the dishwasher. This is important for good results and prudent energy consumption.



REMARK:

You should not wash very small items in the dishwasher because they could easily fall out of the basket.

Removing dishes

So that water does not drip from the upper basket into the lower basket, we recommend that you empty the lower basket first, and only then the upper one.

WARNING



Items will be hot! To prevent damage, do not remove glasses and cutlery from the dishwasher for approximately 15 minutes after the program has finished.

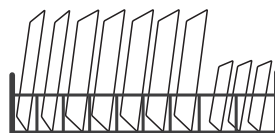
Filling the upper basket

The upper basket is intended for more delicate and lighter dishes such as glasses, coffee and tea cups and saucers, then plates, bowls and shallow pans (if they are not too dirty). Place plates and cooking utensils so that they cannot be moved by the water stream.



Filling the lower basket

We recommend that you put large objects and those that are most difficult to wash in the lower basket: pots, pans, lids, serving trays and bowls, as shown in the picture below. It is recommended to place serving trays and lids on the sides of the baskets so as not to prevent the top sprayer from rotating. The maximum recommended diameter for plates in front of the detergent dispenser is 19 cm, which will not hinder its opening.



Filling the cutlery basket

You should put the cutlery in the cutlery basket so that they do not touch each other, because the washing results could be worse.

WARNING



Make sure that the cutlery does not peek through the bottom of the basket.

Always place sharp utensils with the sharp point down!



To achieve the best washing effect, fill the baskets in the standard way according to the instructions in the last chapter of the first part: Generic version

Rinse aid and detergent function


The rinse aid is released during the final rinse to prevent stains and streaks that can be left by water droplets on the dishes. It also helps with drying because it allows the water to drain from the dishes. Your washing machine is intended for use with liquid detergents.

⚠ WARNING

Use only detergents from well-known manufacturers. Never fill the tank with other liquids (eg washing agents, detergents). This may damage the device.

When to fill the rinse aid tank

The frequency of filling the tank depends on the frequency of washing the dishes and the setting for the rinse aid.

- Rinse aid indicator () will light up when it is necessary to add an agent.
- Do not overfill the rinse aid tank.

Detergent function

The chemical ingredients of the detergent are necessary to dissolve, remove and remove all dirt from the washing machine. Most commercial detergents are suitable for this purpose.

⚠ WARNING

- Correct use of detergent

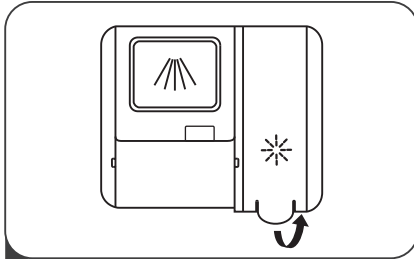
Use only detergent specially manufactured for dishwashers. The detergent must always be fresh and dry.

Do not put detergent powder in the container until the dishes are ready to be washed.

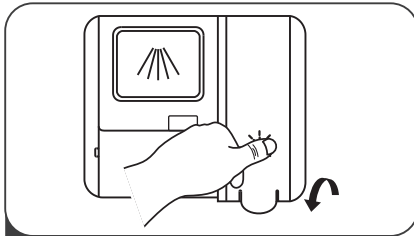


Detergent for dishwashers is corrosive! Keep dishwasher detergent out of the reach of children.

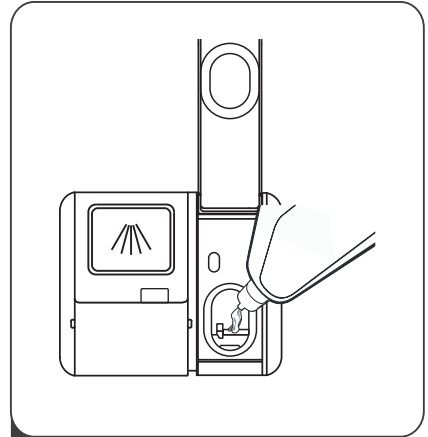
Filling the rinse aid tank



- 1 Lift the lid of the rinse aid container by the handle.



- 3 Close the lid.



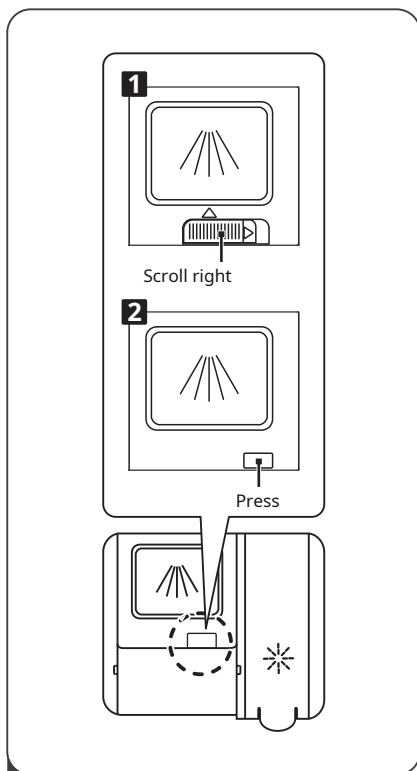
- 2 Pour the rinse aid into the container and make sure it does not overflow.

Adjusting the rinse aid tank

For better drying results with a limited amount of rinse aid, the washing machine is designed so that you can adjust the consumption yourself. Follow the steps below.

1. Open the door and turn on the device.
2. Within 60 seconds of pressing the On/Off button, press the Program button for more than 5 seconds and then the Program Delay button to start the setup. The rinse aid indicator flashes once per second.
3. Press the Program button to select the appropriate setting according to the hardness of your water. The settings are changed in the following order: D1->D2->D3->D4->D5->D1. The higher the number, the more rinse aid is used.
4. The setting is interrupted after 5 seconds of inactivity or by pressing the on/off button.

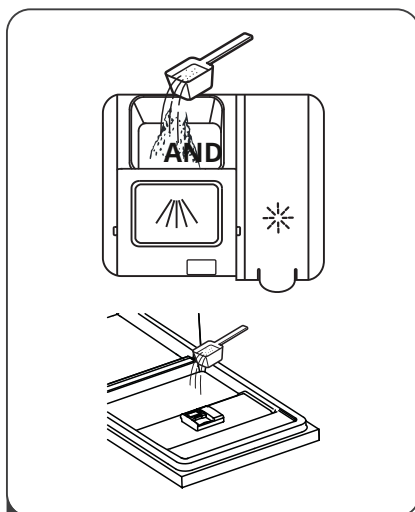
Filling the detergent tank



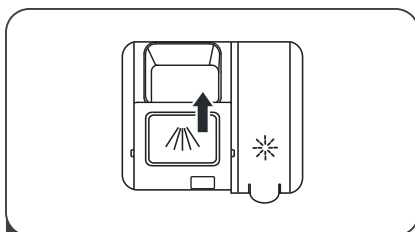
1 Choose the opening method according to the specific situation.

1.Open the cover by moving the latch.

2.Open the lid by pressing the lock.



2 Add detergent to the larger compartment (A) for the main wash cycle. For a better cleaning result, especially if you have heavily soiled items, pour a small amount of detergent on the door. Additional the detergent will be activated during the prewash phase.



3 Close the cover by pushing it forward and then pressing down.

REMARK:





- Keep in mind that differences are possible, depending on the degree of soiling and hardness of the water. Please follow the manufacturer's recommendations listed on the detergent packaging.




DISHWASHER PROGRAMMING

Table of washing cycles

The table shows which programs are best for the level of food residues and how much detergent is needed. It also displays various information about programs.

(●) means that you must add rinse aid to the corresponding tank.

Program	Description of the cycle	Detergent for pre-wash/ main wash	Duration (min)	Current (kWh)	Water (L)	Medium for rinse
 A car	Pre-wash (45°C) Washing (55-65°C) Rinse Automatic flushing (60-65°C) Drying	4+14 (g)	80-150	0.723-1.201	9.8-13.1	●
 Intensively	Prewash (50°C) Washing (65°C) Rinse Rinse Rinsing (65°C) Drying	4+14 (g)	205	1.378	15.3	●
 Universally	Pre-wash (45°C) Washing (55°C) Rinse Rinsing (65°C) Drying	4+14 (g)	175	1.287	13.1	●
ECO (*EN60436)	Washing (45°C) Rinse Rinsing (60°C) Drying	18 (g)	235	0.755	8.7	●
 Glass	Pre-wash Washing (50°C) Rinse Rinsing (65°C) Drying	4+14 (g)	120	0.934	13.1	●

Program	Description of the cycle	Detergent for pre-wash/ main wash	Duration (min)	Current (kWh)	Water (L)	Medium for rinse
 90 min	Washing (60°C) Rinse Rinsing (65°C) Drying	18 (g)	90	1.234	10.2	●
 Quickly	Washing (50°C) Rinse Rinsing (45°C)	12 (g)	30	0.611	10.0	○
 Soaking	Pre-wash	10 (g)	15	0.020	3.6	○



REMARK:

EN60436: This program is for testing. This is information for testing compatibility in accordance with the EN60436 standard

Energy saving

1. Manual pre-rinsing of dishes leads to increased consumption of water and energy and is not recommended.
2. When a domestic dishwasher is used in accordance with the instructions for use, washing dishes in it usually consumes less energy and water during the use phase than manual washing.

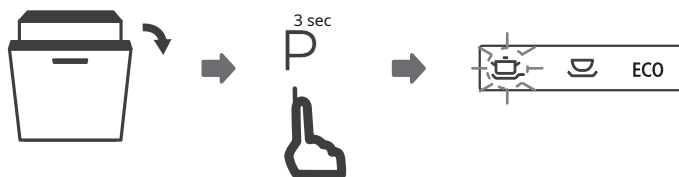
Start of the program

1. Pull out the lower and upper baskets, place the dishes and push them back. We recommend that you fill the lower basket first, then the upper one.
2. Add detergent.
3. Connect the plug to the socket. Power supply information is provided in the "Product Data Sheet" section. Make sure that the water supply is opened to the maximum, to full pressure.
4. Open the door and press the on/off button.
5. Select the program and the corresponding indicator will light up. Then close the door and the washing machine will start the cycle.

Changing the program while the cycle is in progress

The wash cycle can only be changed if it has been started for a short time, otherwise the detergent has already been released and the washing machine may have already drained the wash water. In this case, the dishwasher should be reset and the detergent tank refilled. To reset the dishwasher, follow the instructions below:

1. Open the door slightly to stop the dishwasher so you can open it fully after the sprayer stops running.
2. Press the Program button for more than three seconds, because the device will be in standby mode.
3. You can change the program to the desired cycle setting.



You forgot to put a certain dish ?

You can add forgotten dishes at any time before the detergent starts to dispense. In that case, follow the instructions below:

1. Open the door slightly to stop the wash.
2. When the sprinklers stop turning, you can open the door all the way.
3. Add dishes.
4. Close the door.
5. The washing machine will continue to work.



⚠ WARNING



It is dangerous to open the door during washing, because the hot water could burn you.

ERROR CODES

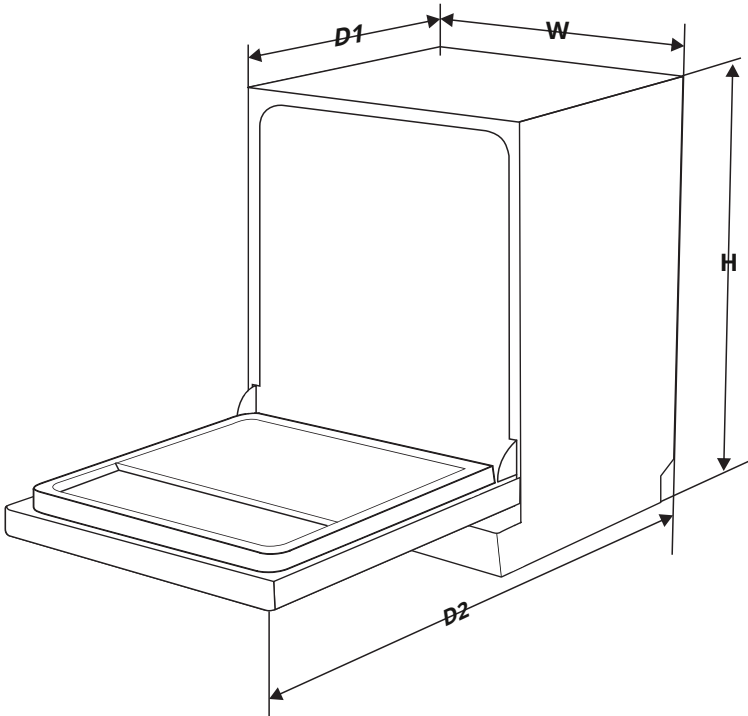
In case of failure, the dishwasher will display an error code. The following table shows the possible error codes and their causes.

Codes	Meanings	Possible causes
E1	Longer water supply time.	The tap is not open, the water supply is weak or the pressure is too low.
E3	Not reached set temperature.	Heater failure.
E4	Leakage.	There is a leak from some part of the washing machine.

⚠ WARNING

- If an overflow occurs, shut off the main water supply before calling for service.
- If there is water in the washer due to an overflow or minor leak, remove it before restarting the washer.
- In the event of an error code that you cannot resolve, seek professional help.

TECHNICAL DATA



Height (H)	815 mm
Width (W)	448 mm
Depth (D1)	550 mm (with closed door)
Depth (D2)	1150 mm (with door open 90°)

Product information sheet (EN60436)

Name or trademark of the supplier: MIDEA

Address of the supplier (b): GEMMA B&D doo, Prisavlje 2 (Bočarski dom), 10000 Zagreb, Croatia

Model designation: MID45S201-HR

General product parameters:

Parameter	Value	Parameter	Value	
Nominal capacity (And) (of the set)	10	Dimensions in cm	Height	82
			Width	45
			Depth	55
EEI (And)	55.9	EU energy efficiency class (And)	E (c)	
Washing efficiency index (And)	1.125	Drying efficiency index (And)	1,065	
Energy consumption in kWh [per cycle], based on the eco program with cold water supply. Real energy consumption depends on the way the washing machine is used.	0.755	Water consumption in liters [per cycle], based on the eco program. Real water consumption depends on the way the washing machine is used and the hardness of the water.	9.0	
Program duration (And) (h:min)	3:55	Type	Fully built-in	
Noise level (And) (dB(A) re 1 pW)	47	Noise level class (And)	C (c)	
Washing machine off (W)	0.49	Standby (W)	ON	
Delayed start (W) (if applicable)	1.00	Standby (W) (if applicable)	ON	

The minimum duration of the warranty offered by the supplier (b): 24 months

Additional information:

Internet address of the supplier with information from point 6 of Annex II of Regulation (EU) 2019/2022 (1) (b): <https://www.gemma.hr/>


(And) for the eco 40-6 program

(b) changes to these paragraphs will not be considered relevant for the purposes of point 4 of Article of Regulation (EU) 2017/1369.

(c) if the product database automatically generates the final content of this cell, the supplier will not enter the data manually.

(1) Commission Regulation (EU) 2019/2022 of October 1, 2019 on establishing requirements for the ecological design of household dishwashers in accordance with Directive 2009/125/EC of the European Parliament and of the Council, amending Commission Regulation (EC) no. 1275/2008 and repealing Commission Regulation (EU) no. 1016/2010 (see p. 267 of this Official Journal).

Foshan Shunde Midea Washing Appliances Mfg. Co., Ltd

 No.20, Gangqian Road, Beijiao, Shunde, Foshan, Guangdong, 5
28311 PRChina



Gemma B&D doo

Importer and distributor for the
Republic of Croatia 10000 Zagreb,

Prisavlje 2 **Wholesale:**

phone: 00385 1 6196 446, 6195 604

fax: 00385 1 6195 581

e-mail: velojedaja@gemma.hr

Central service:

phone/fax: 00385 1 6195 582

e-mail: servis@gemma.hr

www.gemma.hr

Gemma BH doo

Importer and distributor for
BiH 71000 Sarajevo, Džemal
Bijedić 25c,

Wholesale:

phone/fax: 00387 33407 935,

00387 33407 936 e-

mail: info@gemma.ba

www.gemma.ba

Gemma B&D dsd Podgorica

Importer and distributor for CG
81000 Podgorica, Serdara Jola
Piletića bb (PC Palada)

Wholesale:

tel.: 00382 20 672 961 e-mail:

velojadija@gemmabd.me

www.gemmabd.me

Due to the continuous improvement of the product, technical data may change without prior notice. These instructions have been made with a lot of effort and the greatest care, but mistakes in the process of creating and/or translating the instructions are always possible. Therefore, the manufacturer and the seller do not assume responsibility for any incorrect statements, translation errors or typographical errors in these instructions.